

GWST-BS Blind Rivet Nut Stud

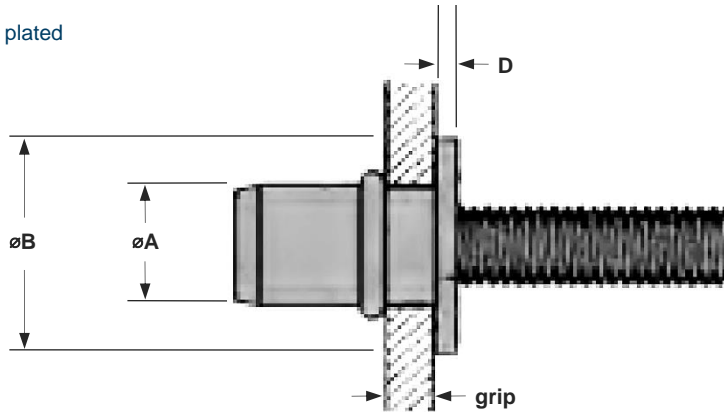
Steel - Large flange
M4 - M8

Features

- Blind rivet nut studs offer a technical as well as cost effective alternative to weld studs
- Dual function - joins material and provides additional fastening point via the threaded stud
- High load bearing capacity of thread
- No damage to painted surfaces
- Suitable for repairing welding studs

Material

- Steel, zinc plated



Part No.	Thread Size	Grip Range		Hole Size	øA	øB	D	L	Thread Protrusion
		min.	max.						min.
GWST-BSM4-02530	M4	0.25	3.0	6.1	6.0	9.0	0.8	11.0	10.0
GWST-BSM5-02530	M5	0.25	3.0	7.1	7.0	10.0	1.0	11.5	11.5
GWST-BSM6-02530	M6	0.25	3.0	9.1	9.0	12.0	1.5	15.5	13.0
GWST-BSM8-02530	M8	0.25	3.0	11.1	11.0	14.0	1.5	17.0	15.5

Thread Size	Max. torque	Shear strength	Tensile strength
	Nm max.	kN	kN
M4	3.0	5.16	6.03
M5	6.0	7.20	10.80
M6	13.0	10.80	17.80
M8	26.0	18.40	27.80



Can't find what you are looking for?

We can provide unique and customized solutions.
Contact your nearest [Gripwell](#) team for assistance!